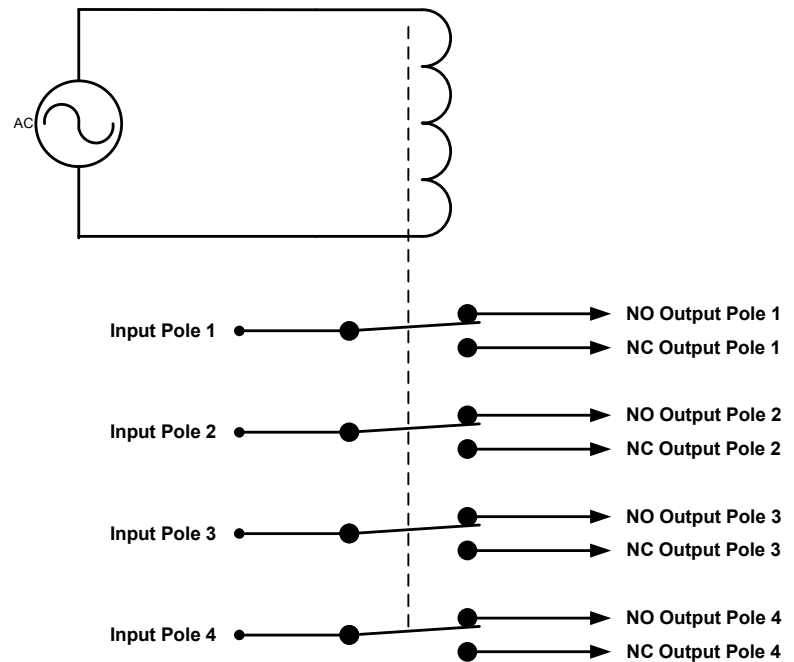


### Relay Coil Not Energized

With no power applied to the coil, the contacts are at rest in the NC (Normally Closed) position.



### Relay Coil Energized

When power is applied to the coil, the contacts are drawn toward the coil by the magnetic field created when current runs through the coil. The contacts now move to the NO (Normally Open) position.

# Relay Basics

© Jerry Snead 2004

### Ladder Logic Relay Symbols

